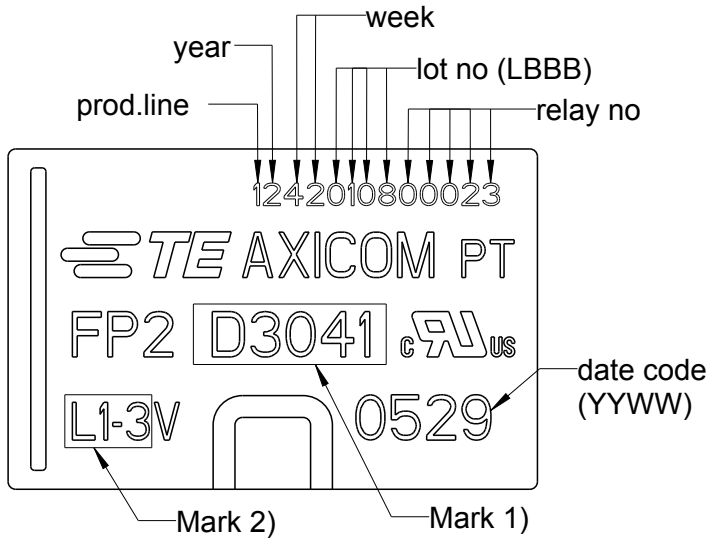


| LOC | DIST | REVISIONS | | | | | |
|-----|------|-----------|-----|---------------------------------------|-----------|-----|------|
| | | P | LTR | DESCRIPTION | DATE | DWN | APVD |
| HJ | - | | A1 | New Position 16 | 18Oct2006 | UKo | HD |
| | | | A2 | New Position 12 | 02Jun2008 | UKo | HD |
| | | | B | REVISED PER ECO-13-009556 | 14JUN2013 | UKo | AK |
| | | | C | ECR-14-007162 (Packaging information) | 13OCT2015 | AP | AK |



Packaging data code (Box, bag, reels):
P(YWWDSL)000
Shipping data code:
YYWW

P - Product code (E to FP relay)
Y(Y) - Year (last digit for packaging)
WW - calendar week (from date code)
D - Day of the week (1=Sat,.....and 7=Fri)
S - Shift (1=day shift, 2 night shift)
L - Production Line (line A, B, C)
B - Weekly sequential number
000 - For internal use

| Pos. | Relay-Typ | Mark 1) | Mark 2) | PN |
|------|-----------|---------|---------|-------------|
| 1 | D3001 | D3001 | 5 | 1462033-1 |
| 2 | D3001T | D3001 | 5 | 1462033-4 |
| 3 | D3002 | D3002 | 12 | 1462033-5 |
| 4 | D3004 | D3004 | 4.5 | 1462033-9 |
| 5 | D3005 | D3005 | 6 | 1-1462033-1 |
| 6 | D3005G | D3005 | 6 | 1-1462033-2 |
| 7 | D3006 | D3006 | 3 | 1-1462033-3 |
| 8 | D3009 | D3009 | 5 | 1-1462033-4 |
| 9 | D3009G | D3009 | 5 | 1-1462033-8 |
| 10 | D3009H | D3009 | 5 | 1-1462033-9 |
| 11 | D3010 | D3010 | 9 | 2-1462033-1 |
| 12 | D3010G | D3010 | 9 | 7-1462033-9 |
| 13 | D3011 | D3011 | 18 | 7-1462033-6 |
| 14 | D3012 | D3012 | 24 | 2-1462033-2 |
| 15 | D3013 | D3013 | 48 | 2-1462033-6 |
| 16 | D3016 | D3016 | 24 | 2-1462033-7 |

2006

RELEASED FOR PUBLICATION

ALL RIGHTS RESERVED.

THIS DRAWING IS UNPUBLISHED.

© COPYRIGHT 2006

| | | | | | | |
|--|------------------|-----------|------------------|-----------|--------------|-------------------|
| DIMENSIONS: mm | DWN UKo 9193 | 30JAN2006 | MATERIAL | - | FINISH | - |
| | CHK HD 9121 | 30JAN2006 | TE Connectivity | | | |
| TOLERANCES UNLESS OTHERWISE SPECIFIED: DIN 7168-m | APVD HD 9121 | 30JAN2006 | | | | |
| 0 PLC ±- | PRODUCT SPEC | - | NAME | | | FP2-Relay Marking |
| 1 PLC ±- | APPLICATION SPEC | - | SIZE | CAGE CODE | DRAWING NO | RESTRICTED TO |
| 2 PLC ±- | | | A4 | 00779 | C- 1462033-1 | - |
| 3 PLC ±- | WEIGHT | - | CUSTOMER DRAWING | | | SCALE |
| 4 PLC ±- | | | | | | 5:1 |
| ANGLES ±- | | | | | | SHEET |
| | | | | | | 1 OF 2 |
| | | | | | | REV |
| | | | | | | C |

| | | | | | | | |
|-----|------|-----------|-----|-------------|------|-----|------|
| LOC | DIST | REVISIONS | | | | | |
| HJ | - | P | LTR | DESCRIPTION | DATE | DWN | APVD |
| | | | | see sheet 1 | | | |
| | | | | | | | |
| | | | | | | | |

| Pos. | Relay-Typ | Mark 1) | Mark 2) | PN |
|------|-----------|---------|---------|-------------|
| 17 | D3014 | D3014 | 4.5 | 7-1462033-8 |
| 18 | D3021 | D3021 | 3 | 3-1462033-2 |
| 19 | D3022 | D3022 | 4.5 | 3-1462033-3 |
| 20 | D3023 | D3023 | 5 | 3-1462033-4 |
| 21 | D3024 | D3024 | 6 | 3-1462033-5 |
| 22 | D3025 | D3025 | 9 | 3-1462033-6 |
| 23 | D3026 | D3026 | 12 | 3-1462033-7 |
| 24 | D3027 | D3027 | 24 | 3-1462033-8 |
| 25 | D3028 | D3028 | 48 | 3-1462033-9 |
| 26 | D3041 | D3041 | L1-3 | 4-1462033-0 |
| 27 | D3042 | D3042 | L1-4.5 | 4-1462033-1 |
| 28 | D3043 | D3043 | L1-5 | 4-1462033-2 |
| 29 | D3044 | D3044 | L1-6 | 4-1462033-3 |
| 30 | D3045 | D3045 | L1-9 | 4-1462033-4 |
| 31 | D3046 | D3046 | L1-12 | 4-1462033-5 |
| 32 | D3047 | D3047 | L1-24 | 4-1462033-6 |
| 33 | D3061 | D3061 | L2-3 | 4-1462033-7 |
| 34 | D3062 | D3062 | L2-4.5 | 4-1462033-8 |
| 35 | D3063 | D3063 | L2-5 | 4-1462033-9 |
| 36 | D3064 | D3064 | L2-6 | 5-1462033-0 |
| 37 | D3065 | D3065 | L2-9 | 5-1462033-1 |
| 38 | D3065F | D3065 | L2-9 | 5-1462033-2 |
| 39 | D3066 | D3066 | L2-12 | 5-1462033-4 |
| 40 | D3066F | D3066 | L2-12 | 5-1462033-5 |
| 41 | D3067 | D3067 | L2-24 | 5-1462033-6 |


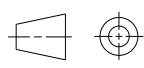
2006

RELEASED FOR PUBLICATION

ALL RIGHTS RESERVED.

© COPYRIGHT 2006

THIS DRAWING IS UNPUBLISHED.

| | | | | | | | |
|--|--|------------------|--|-------------|-----------|---------------|----|
| DIMENSIONS: mm | DWN UKo 9193 | 30JAN2006 | MATERIAL | - | FINISH | - | |
| | CHK HD 9121 | 30JAN2006 |  TE Connectivity | | | | |
| TOLERANCES UNLESS OTHERWISE SPECIFIED: DIN 7168-m | APVD HD 9121 | 30JAN2006 | | | | | |
| 0 PLC ±- | PRODUCT SPEC | - | NAME FP2-Relay Marking | | | | |
| 1 PLC ±- | APPLICATION SPEC | - | | | | | |
| 2 PLC ±- | WEIGHT | - | SIZE | A4 | CAGE CODE | 00779 | |
| 3 PLC ±- |  | CUSTOMER DRAWING | DRAWING NO | C-1462033-1 | | RESTRICTED TO | - |
| 4 PLC ±- | | | SCALE | 5:1 | SHEET | 2 | OF |
| ANGLES ±- | | | | | REV | C | |